

2007-2017 JEEP JK

REAR TRAIL DOORS INSTALLATION INSTRUCTIONS



SAFETY

Know safety, no injury. Know injury, no safety. ~Author Unknown

- **READ ALL SAFETY INSTRUCTIONS BEFORE INSTALLATION**
 - FOLLOW ALL INSTRUCTIONS FOR PROPER ASSEMBLY
 - WEAR APPROPRIATE EYE PROTECTION
 - EXERCISE CARE WHEN LIFTING COMPONENTS
 - USE APPROPRIATE TORQUE FOR BOLTS
 - BLUE THREAD LOCKING COMPOUND IS RECOMMENDED ON ALL BOLT

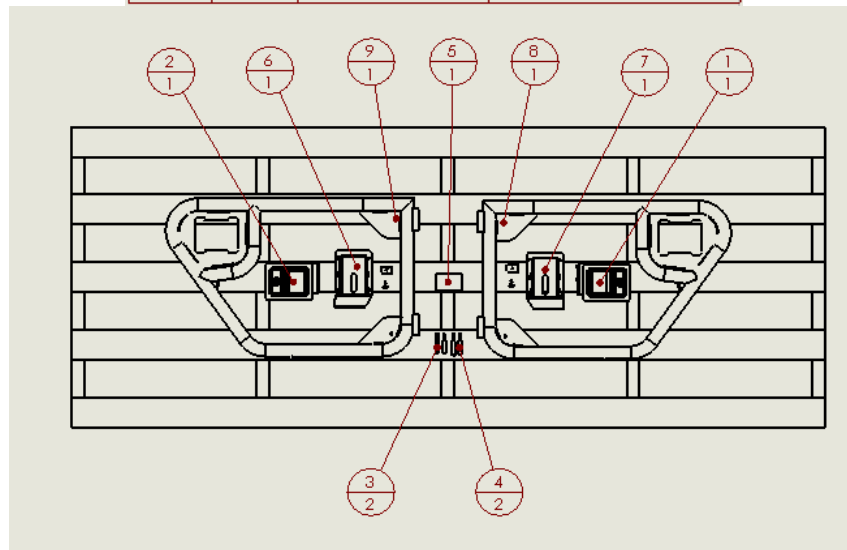
 - SUGGESTED TORQUE VALUES FOR STEEL GRADE SAE 5 BOLT

BOLT DIAMETER (INCH)	TREADS PER INCH	TORQUE (POUND-FEET)
1/4	20	7
5/16	18	14
3/8	16	25
7/16	14	40
1/2	13	60
9/16	12	88
5/8	11	120
3/4	10	200
7/8	9	302
1	8	466



I. PARTS LIST

ITEM NO.	QTY.	PART NUMBER	DESCRIPTION
1	1	601-56-3522	JK TRAIL DOOR LATCH LEFT
2	1	601-56-3523	JK TRAIL DOOR LATCH RIGHT
3	2	601-56-3755	HINGE INSERT
4	2	601-56-3756	LONG HINGE INSERT
5	1	60K-56-0106	HARDWARE KIT #106
6	1	60P-56-0546	LEFT LATCH MOUNT
7	1	60P-56-0547	RIGHT LATCH MOUNT
8	1	60P-56-0549	LEFT REAR JEEP JK TRAIL DOOR
9	1	60P-56-0550	RIGHT REAR JEEP JK TRAIL DOOR
10	2	443-02-3656	RUBBER COMPRESSION SPRING 20
11	2	443-02-3657	.25" CHRISTMAS TREE



REMOVE CONTENTS FROM BOX AND VERIFY ALL PARTS ARE PRESENT.

**If there are any questions, call 1-855-HHTOUGH or email
HHORDERS@hammerheadarmor.com**



II. TOOL LIST

1. Basic tool set
2. 3/8 socket
3. 3/8 wrench
4. Flat head screwdriver
5. Torx 40
6. Pliers
7. Small screwdriver

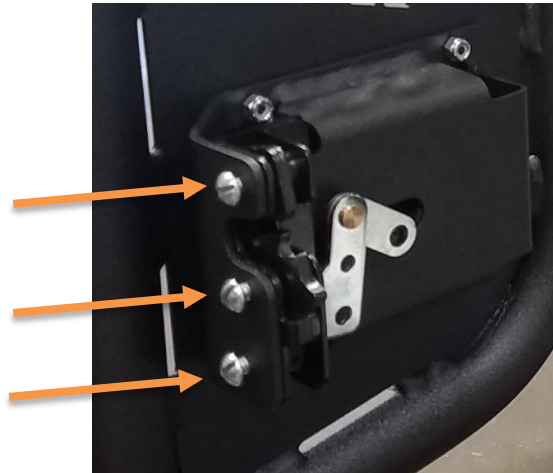
III. INSTALLATION OF THE PINS

1. Along with 1 steel washer each install the hinge insert in the top and the long hing insert in the bottom of the trail doors as shown. Tighten with Pliers.



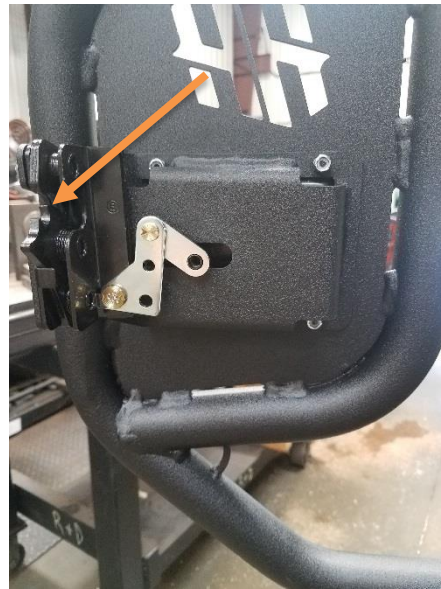
IV. INSTALLATION OF THE LATCH

1. Install the Rotary latch onto the latch mount as shown. It attaches with 3 1/4" flat head screws.

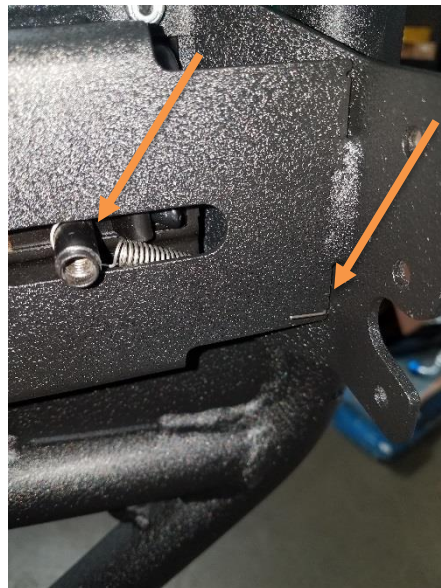




2. Place the paddle latch through the front hole of the door as shown. Place the latch mount on the back of the door as shown. Attach with 4 of the provided #10 nuts with either the 3/8 socket or the 3/8 wrench. Leave loose for adjustment
3. Make sure to use the correct latch cover. The correct one will have the rotary latch mechanism in the UP position as shown by the arrow.



4. Place one of the small springs provides onto the latch as shown. Using a small screwdriver reach inside and attach the latch makes installing the spring much easier
5. Screw in the provided knob into the knob shaft on the paddle latch.



6. Do this for both sides.



V. **INSTALLATION OF THE DOOR AND ADJUSTMENT**

1. Place trail door on the jeep door hinges. Easily close door allowing the latch to align with the striker. Tighten down the latch using the 3/8 socket or 3/8 wrench.
2. The latch as left, right, up, and down adjustment. If you need more vertical adjustment add the provided black nylon washers to the hinge pins.
3. Place the provided Rubber compression springs on the door with the .25" Christmas trees. This will keep the door from rattling.
4. Once you are completely finished with install and adjustment it is a good idea to remove the knob, apply Loctite, and reinstall.
5. If you have the Spiderweb shade install with the provided Spiderballs.



Congratulations! Your bumper installation is now complete.
Thank you for your purchase.