

2007-2017 Jeep Wrangler 4 Door

RUNNING BOARD INSTALLATION INSTRUCTIONS



SAFETY

Know safety, no injury. Know injury, no safety. ~Author Unknown

If there are any questions, call 1-855-HHTOUGH

- **READ ALL SAFETY INSTRUCTIONS BEFORE INSTALLATION**
 - FOLLOW ALL INSTRUCTIONS FOR PROPER ASSEMBLY
 - WEAR APPROPRIATE EYE PROTECTION
 - EXERCISE CARE WHEN LIFTING COMPONENTS
 - USE APPROPRIATE TORQUE FOR BOLTS
 - BLUE THREAD LOCKING COMPOUND IS RECOMMENDED ON ALL BOLTS

California Proposition 65



WARNING

Cancer and Reproductive Harm

www.P65Warnings.ca.gov

DO NOT PAINT OVER THIS LABEL. REPLACE IF DAMAGED OR LOST

DKB150_00



2007-2017 Jeep JK 4 door

Suggested Torque Values For Steel Grade 5 Standard Bolts		
BOLT DIAMETER (INCH)	THREADS PER INCH	TORQUE (POUND - FEET)
1/4	20	7
5/16	18	14
3/8	16	25
7/16	14	40
1/2	13	60
9/16	12	88
5/8	11	120
3/4	10	200
7/8	9	302
1	8	466

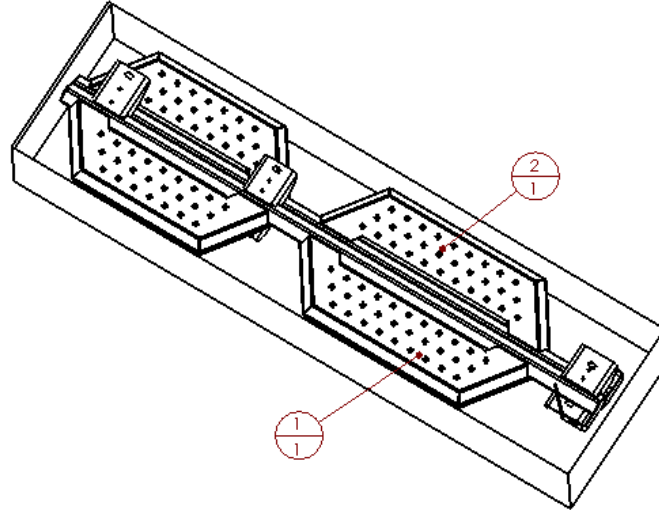
Suggested Torque Values For Steel Grade 8.8 Metric Bolts		
BOLT DIAMETER (mm)	THREAD PITCH (mm)	TORQUE (POUND-FEET)
6	1.0	7
8	1.25	16
10	1.5	32
12	1.75	55
14	2.0	88
16	2.0	140
18	2.5	195
20	2.5	275
22	2.5	375
24	3.0	475

I. PARTS LIST

1	1	60P-56-0442	ROCKY RIDGE RUNNING BOARD RIGHT
2	1	60P-56-0443	ROCKY RIDGE RUNNING BOARD LEFT



2007-2017 Jeep JK 4 door



II. TOOL LIST

1. A good friend
2. Basic tool kit
3. 18mm socket
4. Torque wrench

III. VEHICLE PREPARATION

1. Using 18mm socket, remove OE cab bolts on left side.

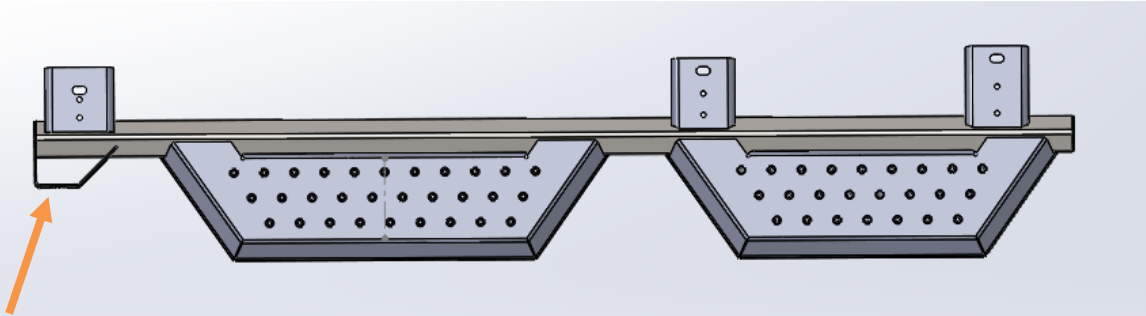




2007-2017 Jeep JK 4 door

IV. RUNNING BOARD INSTALLATION

1. Identify the left running board. It will have a bottle opener (arrow) on the left side.



2. Have a good friend help you hold the running board up to the mounts. Install running board with OEM hardware.
3. Tighten all hardware. Installation is now complete. Follow the same procedure for the right side of the vehicle.



CONGRATULATIONS!!